



DUX DYNAMIC  
TWIN/90-120



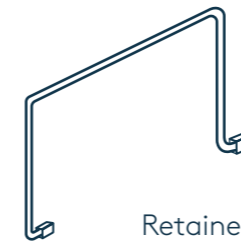
ASSEMBLY INSTRUCTIONS

DUX, DUXIANA and DUX Pascal-systems are registered  
trademark owed by Dux Design AB 2012.  
Printed 2021.02.01

[dux.com](http://dux.com)



## HARDWARE



Retainer bar



Hand control



x4 Floor protection



x4 Felt protection

## TOOLS NEEDED



Torx M4  
(included)

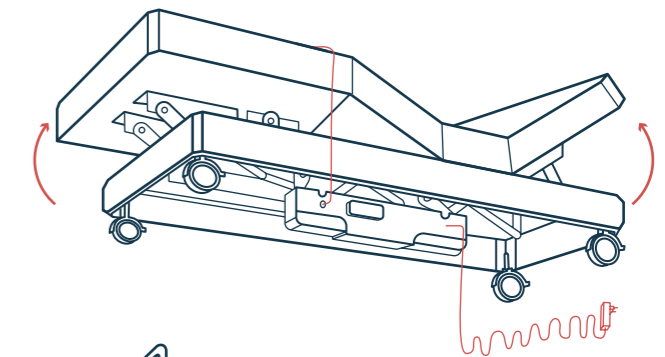


Torx M5  
(included)

## ASSEMBLING

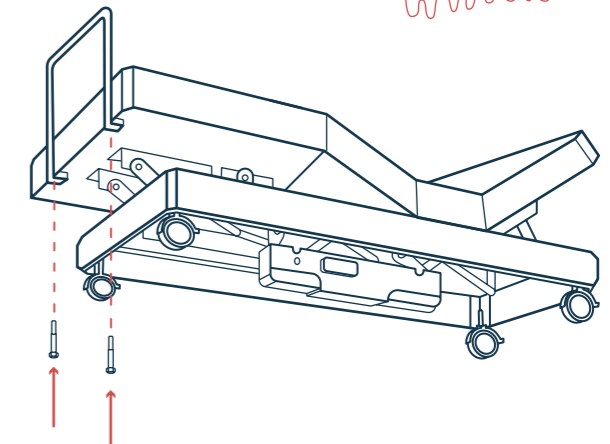
### I. RAISE THE HEAD AND FOOT END

Pair the cable remote control with the motor (follow the remote instructions). Plug the outlet. Raise the head and foot end to the maximum height.



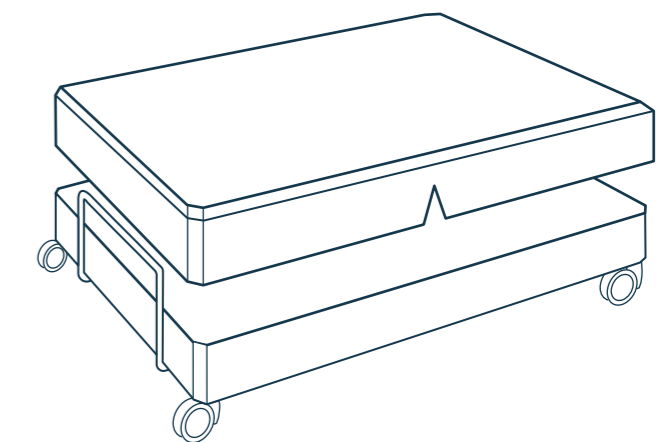
### II. MOUNT THE RETAINER BAR

While the head and foot ends are raised, mount the retainer bar. Remove the screws at the foot end and use them to fasten the retainer bar to the bed.

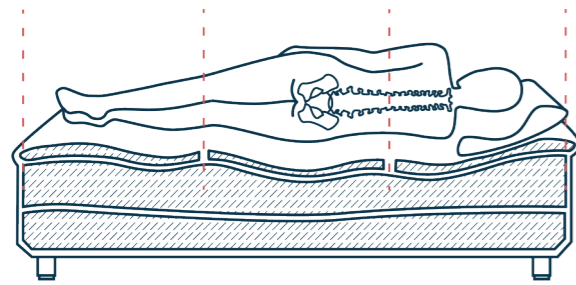


### III. LOWER THE BED AND PLACE THE SPRINGTOP

Lower the bed to the original flat position and place the springtop with the split at the head end of the bed.

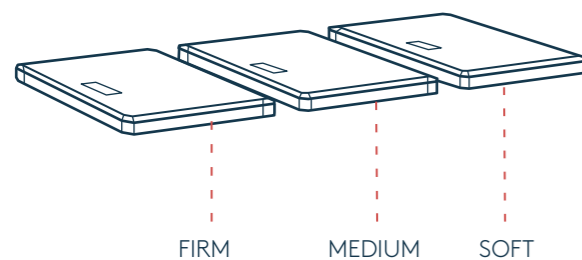


## DUX PASCAL-SYSTEM



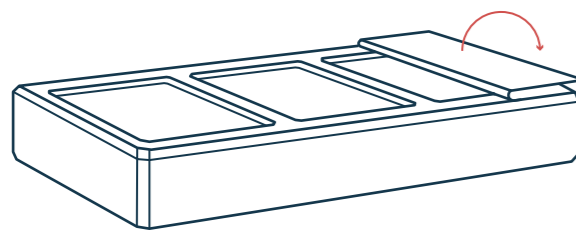
The Pascal System consists of three or six interchangeable spring cassettes of varying densities and tension. Designed to provide three support zones – shoulders, hips, legs – each cassette is selected to match your body size and weight for individually customized comfort.

## CONFIGURE PASCAL-SYSTEM

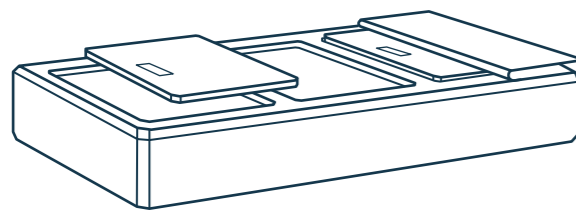


Common configuration is as follows:  
**SOFT** – at the head, allowing your shoulders to sink into the bed.  
**MEDIUM** – in the middle, allowing hips to sink down in the bed.  
**FIRM** – at the foot, allowing some elevation for your legs and feet.

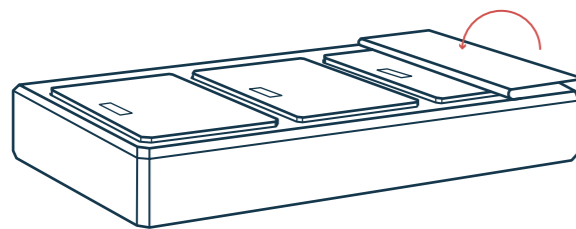
## ASSEMBLING



**III. OPEN THE TOP MATTRESS**  
 Open the top mattress and fold the top over.

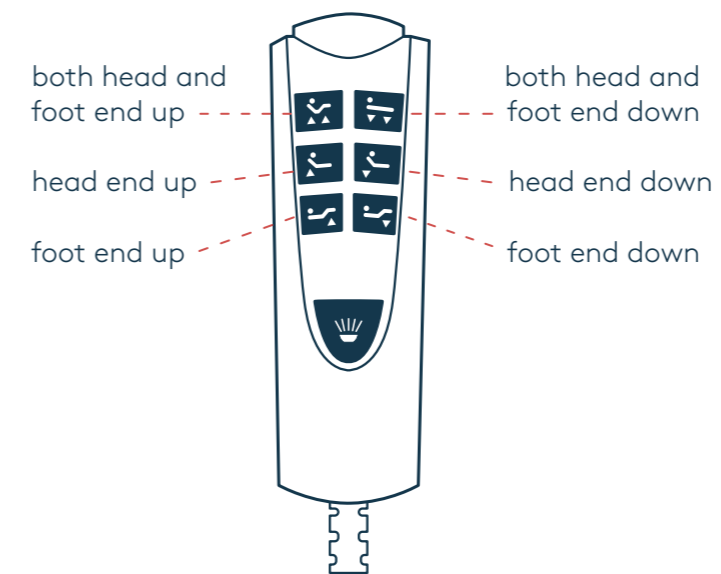


**IV. ARRANGE THE CASSETTES**  
 Arrange the cassettes according to your preference.



**V. FOLD THE TOP BACK OVER**  
 Fold the top back over and zip the top mattress closed.

## THE HAND CONTROL

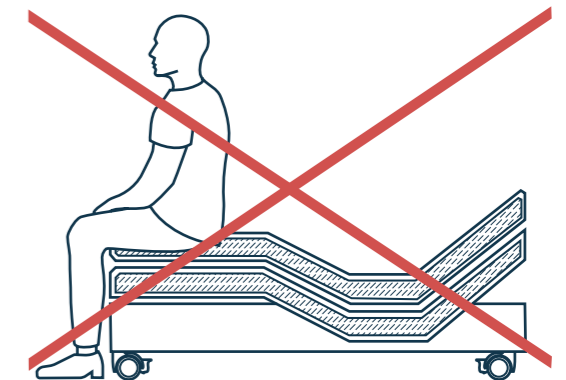


The motor comes with two 9V batteries. The batteries are used to lower the ends to their original flat position in the case of a power failure. (Test batteries often)

**NOTE:** The bed cannot be raised with only battery power.

## CONSUMER CAUTION

Do not sit on the head- or foot-end while adjusting the bed.



## TROUBLE SHOOTING

### PROBLEM

Lift motors do not work at all.

### POSSIBLE CAUSE AND CORRECTION

Power at wall outlet may be out; reset circuit breaker.

Power cord may be unplugged; plug in cord.

### PROBLEM

Head or foot section will not go all way down.

### POSSIBLE CAUSE AND CORRECTION

Head or foot section may have an obstruction.

Move the bed to the up position, then remove the obstruction.

If the problem persists, contact Customer Service.

### PROBLEM

Head or foot end will not go up or starts and stops intermittently.

### POSSIBLE CAUSE AND CORRECTION

Contact the DUXIANA store or a DUX reseller.

All replacements and service should be performed by a DUX authorized service dealer.